

**INSTRUCTIONS FOR INSTALLING A MARS ELECTRONIC™ COIN MECHANISM
CONVERSION KIT, PART NUMBER 2360112, IN A NATIONAL VENDORS® CABARET 36
CIGARETTE MERCHANDISER**

CHECK THE PARTS RECEIVED IN THE KIT WITH THE PARTS LIST IN THESE INSTRUCTIONS. FIGURE 1 SHOWS ALL THE PARTS IN THE KIT. IF ANY PARTS ARE MISSING, CONTACT NATIONAL VENDORS' PARTS DEPARTMENT IMMEDIATELY.

NOTE

This Kit does not include the Mars Electronic™ Coin Mechanism. This part is shipped directly from Mars Money System; 801 Carpenters Crossing; Folcroft, PA. 19032 - Phone 1-215-534-4200. Merchandisers with an alternator must be reworked prior to the installation of this kit.

This conversion kit will not operate on Merchandisers that are equipped with the Center Magazine Pricing Option.

This kit contains the following:

Part Number	Description	Quantity
2360111	Installation Instructions	1
2361110	Mounting Panel Assembly- Final NRI/Mars	1
2362106	Coin Insert Instruction Panel	1
2361107	Adaptor Harness Assembly	1
2366076	Counter Relay Harness	1
2361118	Jumper PCB Assembly	1
4041168	Relay - 4PDT - 115 VAC	1
1172531	Indicator Light Assembly (Black)	1
3502081	Indicator Lens	1
1411141	.357 Cable Clamp	1
2204513	Wire Tie	1
9900104	No.6-32 x 1/4 RHS R/T Screw	2
2361065	Relay Retainer	1

A. PARTS REMOVAL

1. Disconnect the Merchandiser and open the door.
2. Remove the following parts from the door: Upper Display Light Assembly, Price Label Extrusion; Coin Insert Chute Assembly; Coin Block, Coin Insert Trim; Personalizing Channel Assembly and Coin Insert Instruction Panel, as shown in Figure 2.
3. Disconnect the Coin Return Knob Spring. See Figure 2.
4. Disconnect the Indicator Light Assembly from the Indicator Lens for the Sold Out Light and Exact Change Light (if so equipped). Remove lens from the door as shown in Figure 2.
5. Remove the five screw that fasten the Upper Display Trim to the Cabinet Door on the right side Only. See Figure 2.
6. Disconnect the Coin Mechanism Harness from the Cabinet Assembly.
7. Remove the following parts from the Cabinet Assembly: Coin Mechanism, Mounting Panel Assembly, Coin Handling Mount Assembly and the Relay Panel, as shown in Figure 3.
8. Remove the Jumper PCB Assembly from the Relay Panel as shown in Figure 3.

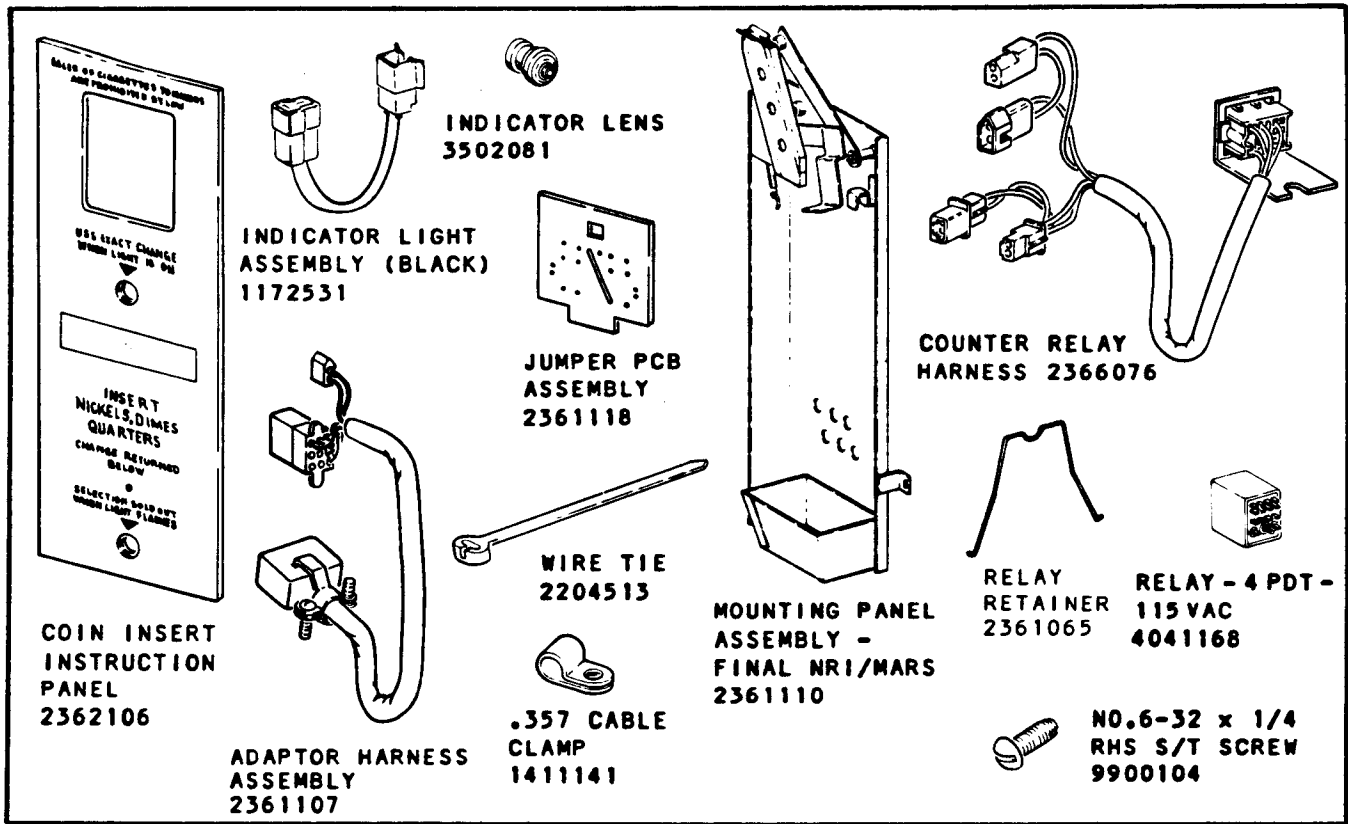


FIGURE 1

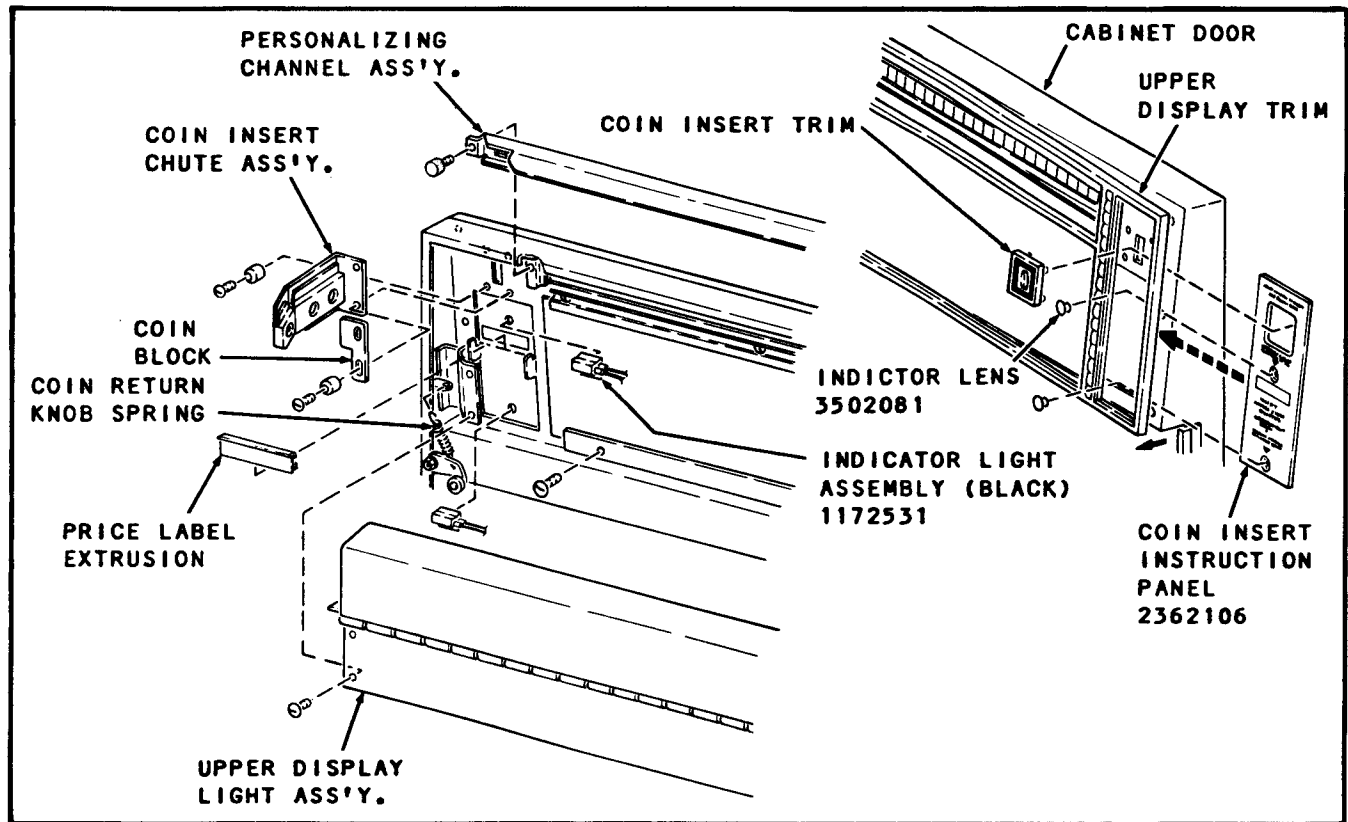


FIGURE 2

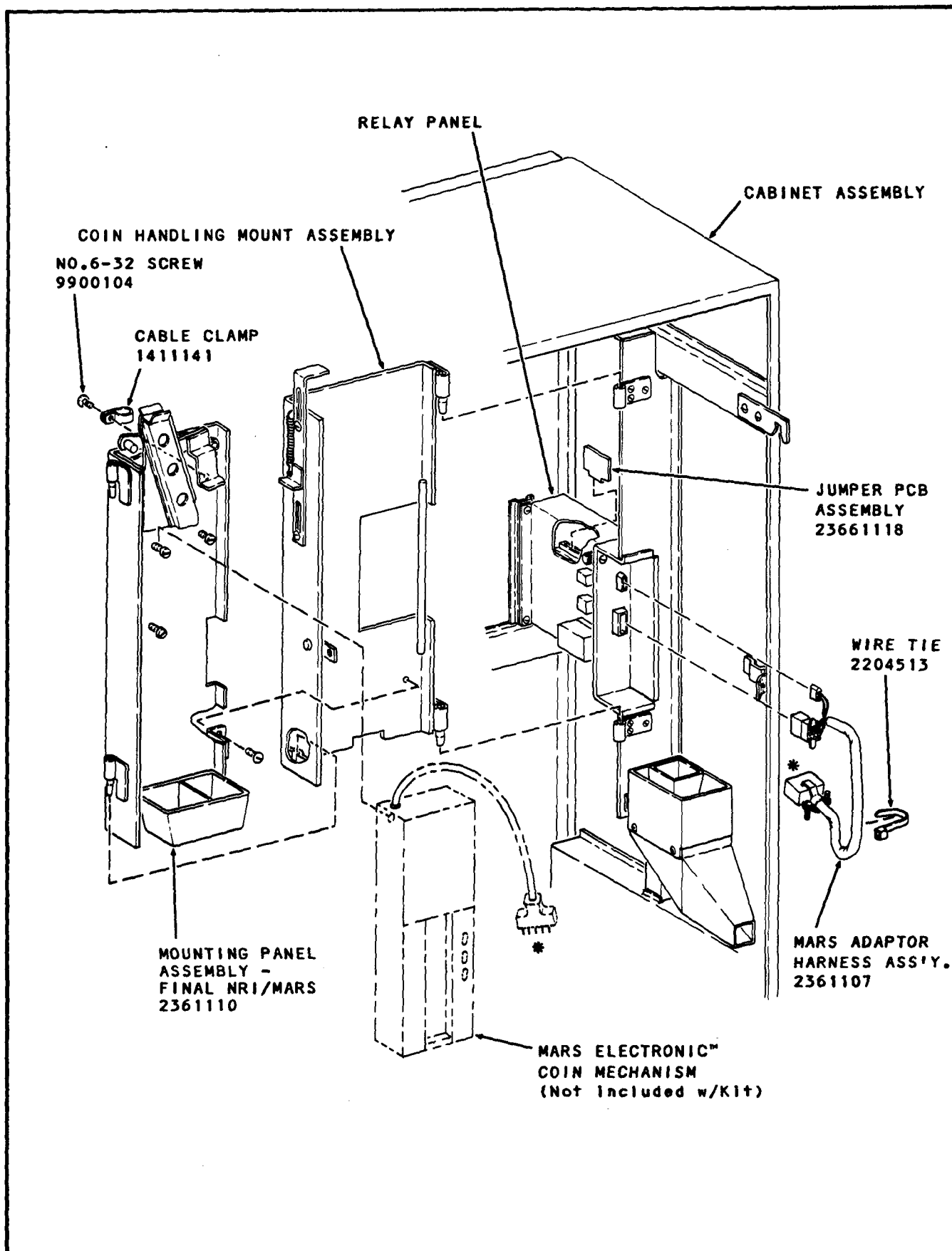


FIGURE 3

9. Retain all parts removed until Merchandiser is re-assembled.

B. INSTALLATION OF THE KIT

1. Install Jumper PCB Assembly, furnished in kit, in the Relay Panel in the Merchandiser. See Figure 3.
2. Assemble Cable Clamp and Screw to the Mounting Panel Assembly as shown in Figure 3.
3. Assemble the Mounting Panel Assembly to the Coin Handling Mount Assembly as shown in Figure 3.
4. Mount the assembly in B-3 to the Cabinet Assembly by sliding upper and lower hinge pin in to place as shown in Figure 3.
5. Connect the Mars Adaptor Harness to the receptacle located in the Cabinet Assembly as shown in Figure 3.
6. Attach the Wire Tie around the Mars Adaptor Harness as shown in Figure 3.
7. Slide the Mars Electronic™ Coin Mechanism into place on the Mounting Panel Assembly and connect the Coin Mechanism Harness to the Mars Adaptor Harness as shown in Figure 3.
8. Check the Merchandiser Price Setting Board. With a single price coin unit all 12 wires are placed on terminal strip A. With a two price unit, on terminal strips A and B. With a three price unit, on terminal strips A, B, and C. A is always the low price.
9. Carefully push Upper Display Trim away from Cabinet Door and

slide Coin Insert Instruction Panel from kit into place as shown in Figure 2.

10. Complete the assembly of the Cabinet Door by reversing the Parts Removal Instructions A-2 to A-5 as shown in Figure 2.
11. Assemble the Counter Relay Harness into the Merchandiser using the following steps.
 - a. Fasten the Relay Bracket on the Counter Relay Harness to the hole in the front Left corner of the Coder Assembly using the screw provided in the kit. See detail 4.
 - b. Connect the Relay to the Relay Socket Receptacle on the Counter Relay Harness and use the Relay Retainer included in the kit to hold the Relay in the Relay Socket Receptacle.
 - c. Disconnect the Counter Harness from the Mechanism Harness.
 - d. Connect the Counter Relay Harness to the Counter Harness and the Mechanism Harness using the plug and receptacle with the black wires, see Figure 4.
 - e. Disconnect the Vend Motor from the Mechanism Harness.
 - f. Connect the Counter Relay Harness to the Vend Motor and the Mechanism Harness using the plug and receptacle with the blue wires, see Figure 4.

For the Wiring or Schematic Diagram, Refer to Figure 5.

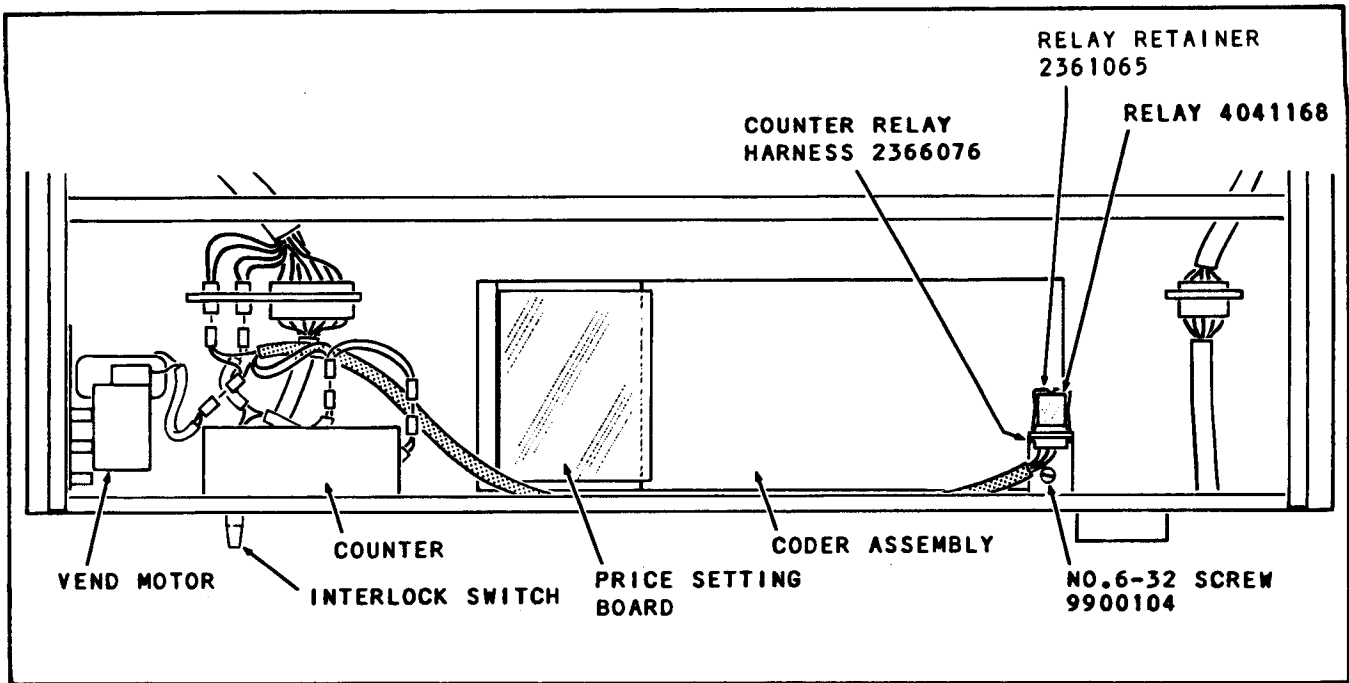


FIGURE 4

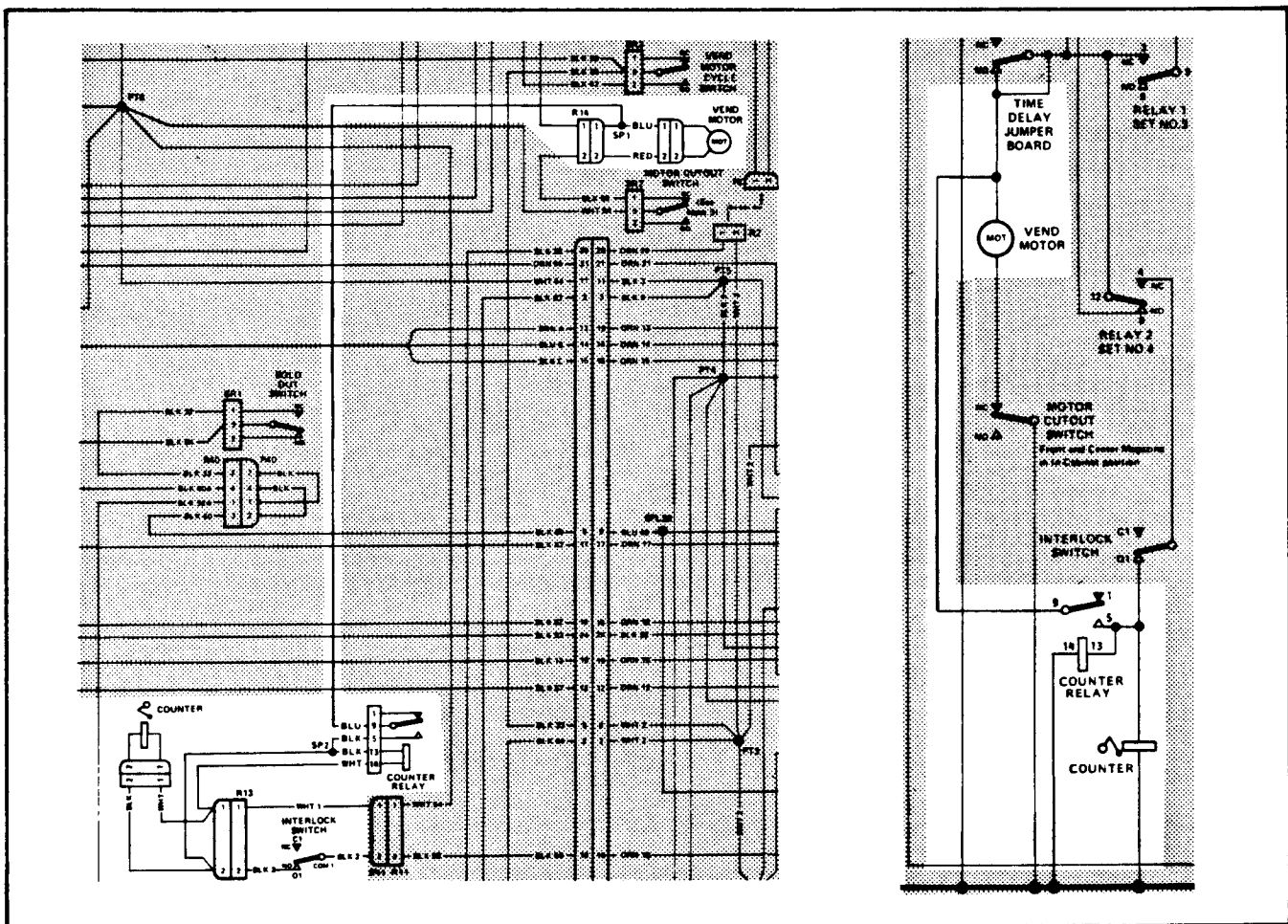


FIGURE 5